



Self Contained DC Speed control

- Stainless steel drainpan
- High performance boxblower with 0-10V speed control
- Multiple air outlets
- Integrated heating mode with PTC heating element (on request)
- Extremely quiet

Self-Contained package

The Clion-Marine Self-Contained package consists of the following items: Self Contained unit, Control box, Display kit

Control box

Complete plug and play control box with prewired 1,2 metre cable loom, connectors and two temperature sensors (air/defrost sensor). The boards are electrical protected with automatic fuse with a manual reset on the outside of the box.

Display kit

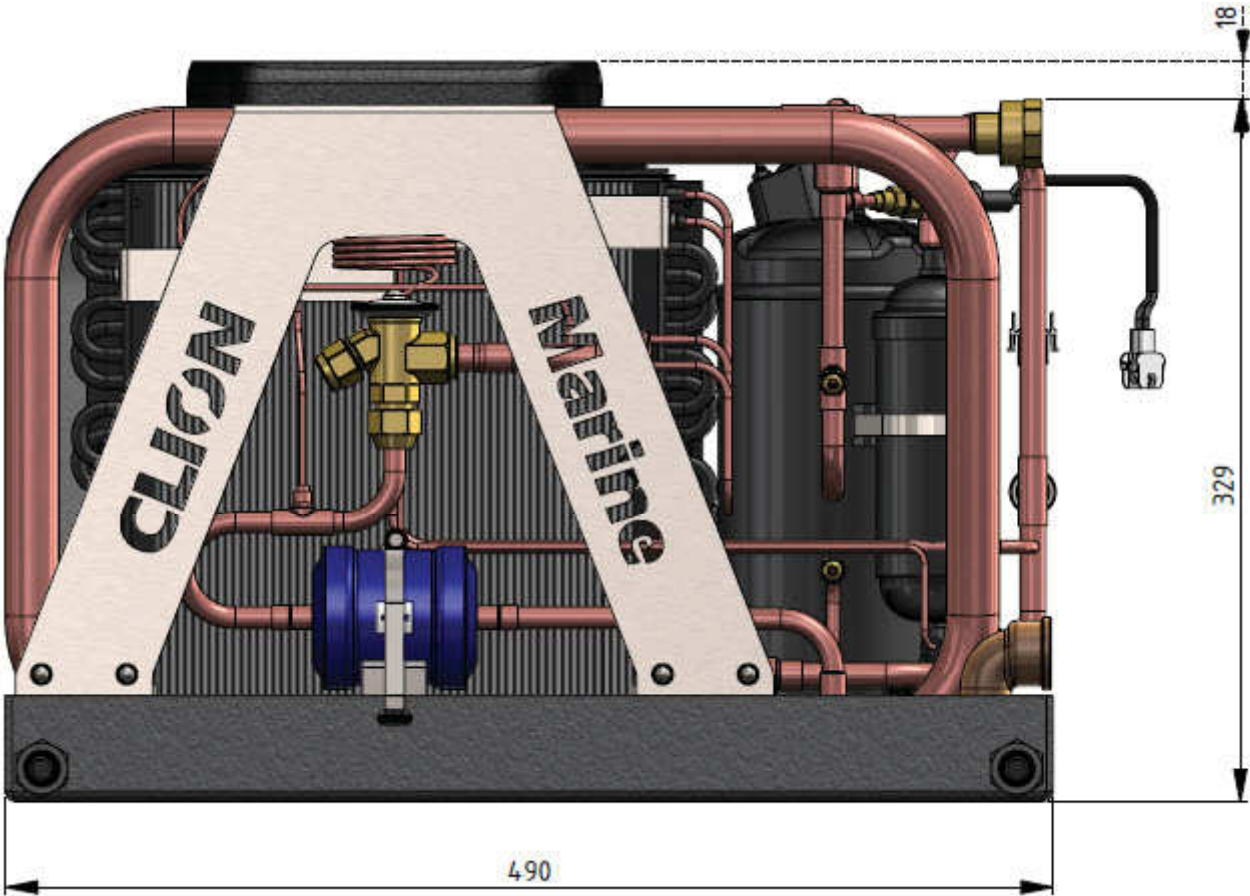
Full color touch screen display compatible with Vimar bezels. The kit contains the following items: touch screen display, Vimar black bezel, RJ45 cable (10 metre)

Self Contained				
	SC-N 11.0	SC-N 18.0	SC-N 28.0	SC-IN 31.0
Part number	CM0000113222	CM0000113128	CM0000113133	TBD
Capacity (BTU/h)	11.000	18.000	28.000	9.300 - 31.300
Capacity (kW)	3,2	5,2	8,2	2,7 - 9,2
Voltage	220V/50Hz/1F	220V/50Hz/1F	220V/50Hz/1F	220V/50Hz/3F
Power consumption (A)	2,89	4,53	7,34	11,6
Weight	28,50	37,60	40,70	TBD
Airflow auto modus (m³/h)	280-400	480-650	620-800	400-800
Max airflow manual (m³/h)	600	900	900	900
Seawater connection	3/4" / 19mm	3/4" / 19mm	3/4" / 19mm	3/4" / 19mm
Return air face area (m²)	704	1.148	1.407	1.574
Supply air face area (m²)	352	574	704	787
Duct connection (inch/cm)	1x6" / 152	1x7" / 178	1x7" / 178	1x7" / 178
Dimensions (LxWxH)	490*262*329	571*318*381	571*318*381	571*318*381
Cable length control box	1,20m	1,20m	1,20m	1,20m
Recommended fuse size	10A	10A	16A	10A
Drain connection (mm)	12 (4x)	12 (4x)	12 (4x)	12 (4x)
Sea waterflow (l3/h)	1,26	1,26	1,26	1,26

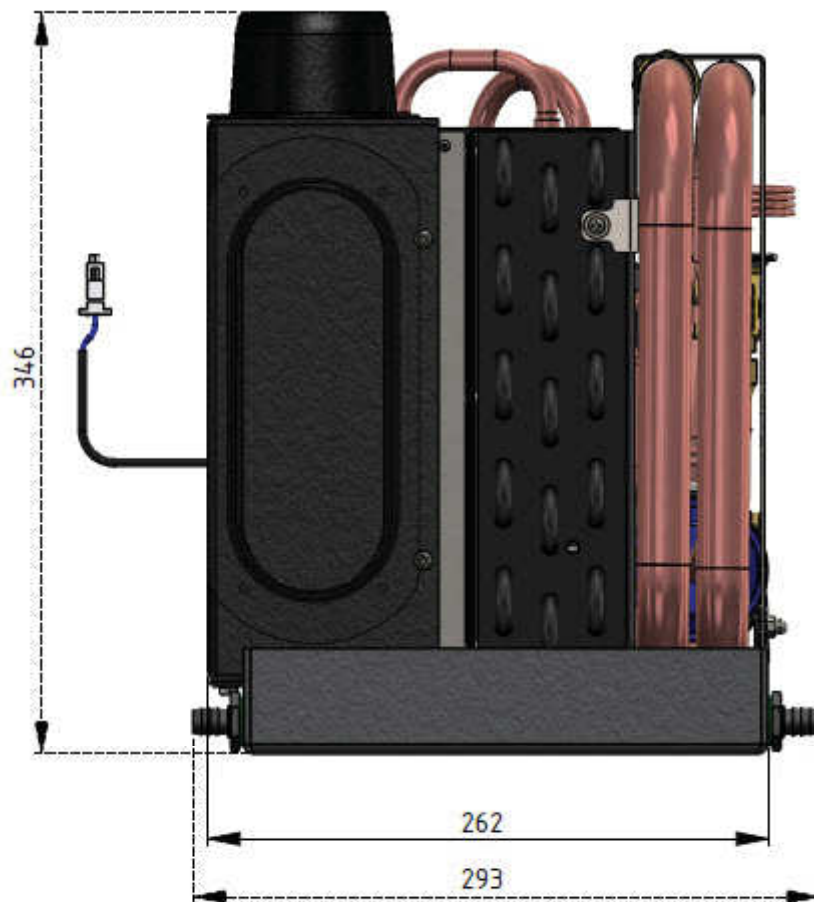
For complete operation selfcontained unit, control box and display kit are required!

Capacities are rated at an evaporating temperature of 7,2°C and a condensation temperature of 38°C

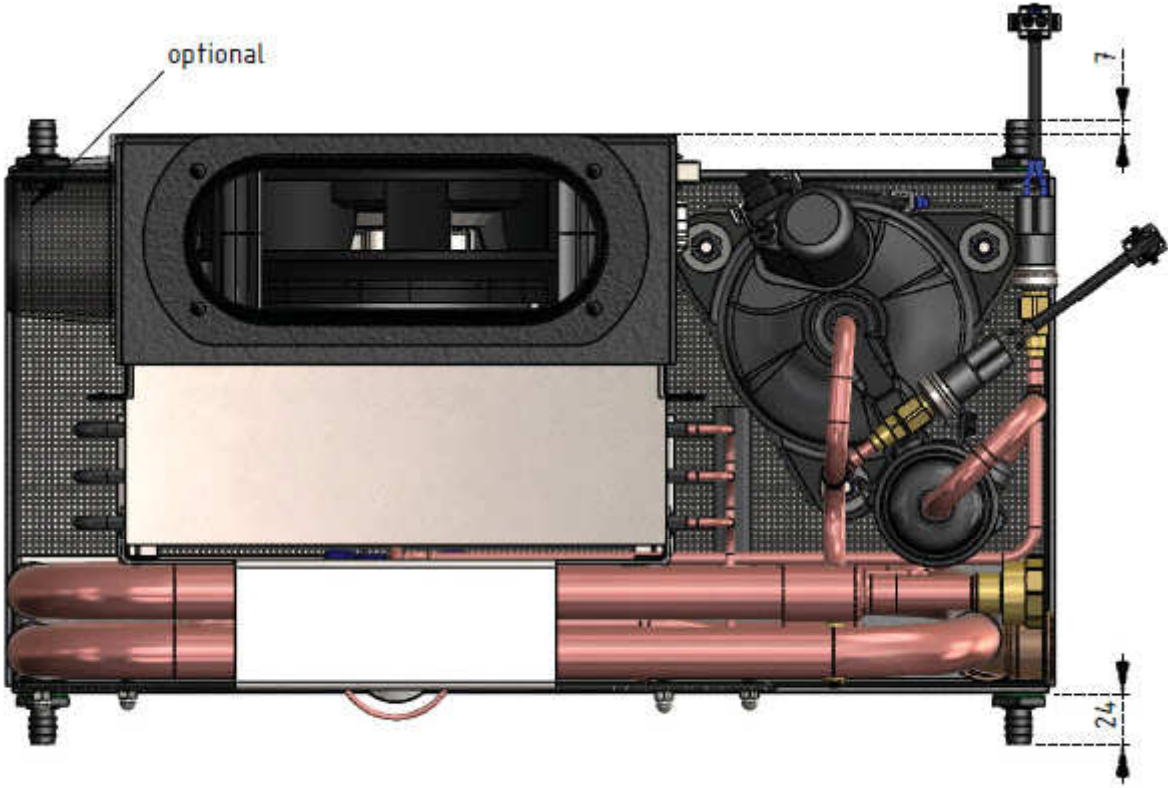
SC-N 11.0



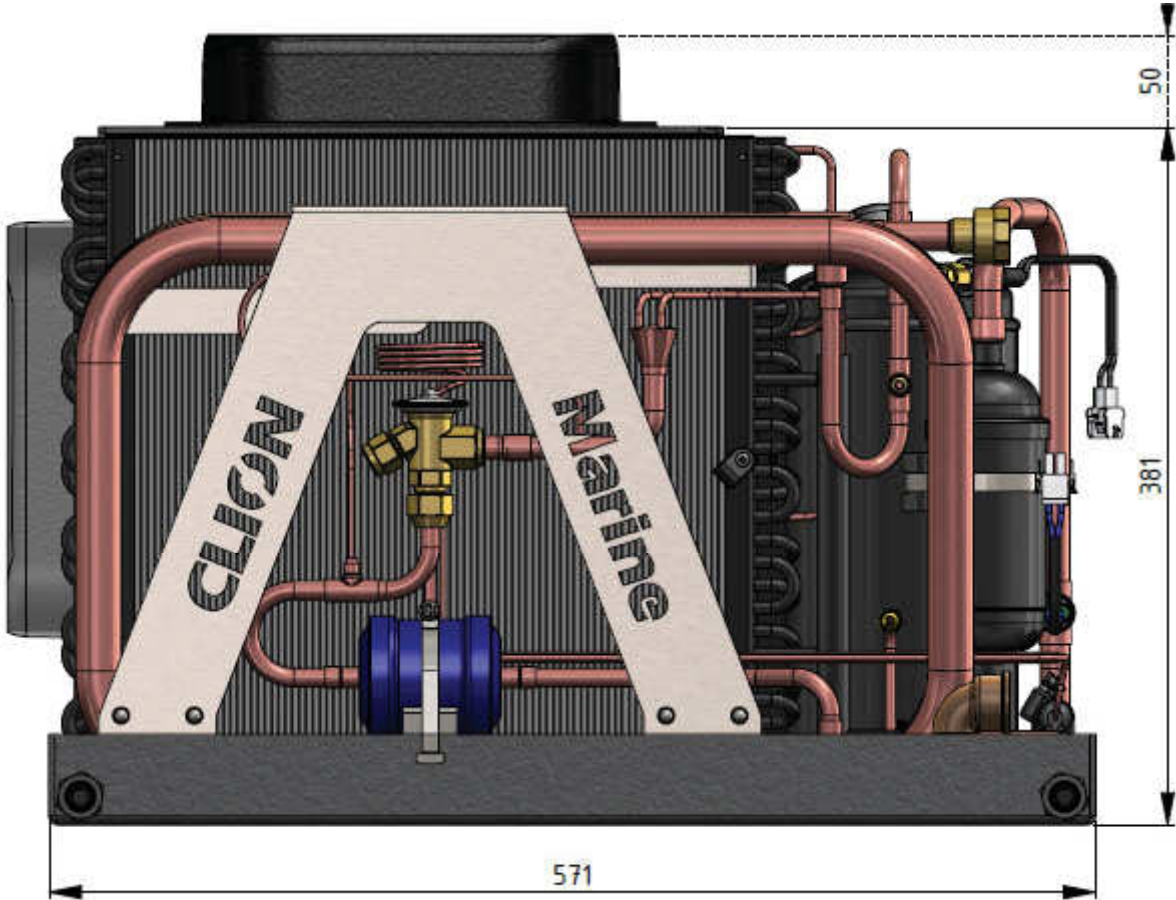
SC-N 11.0



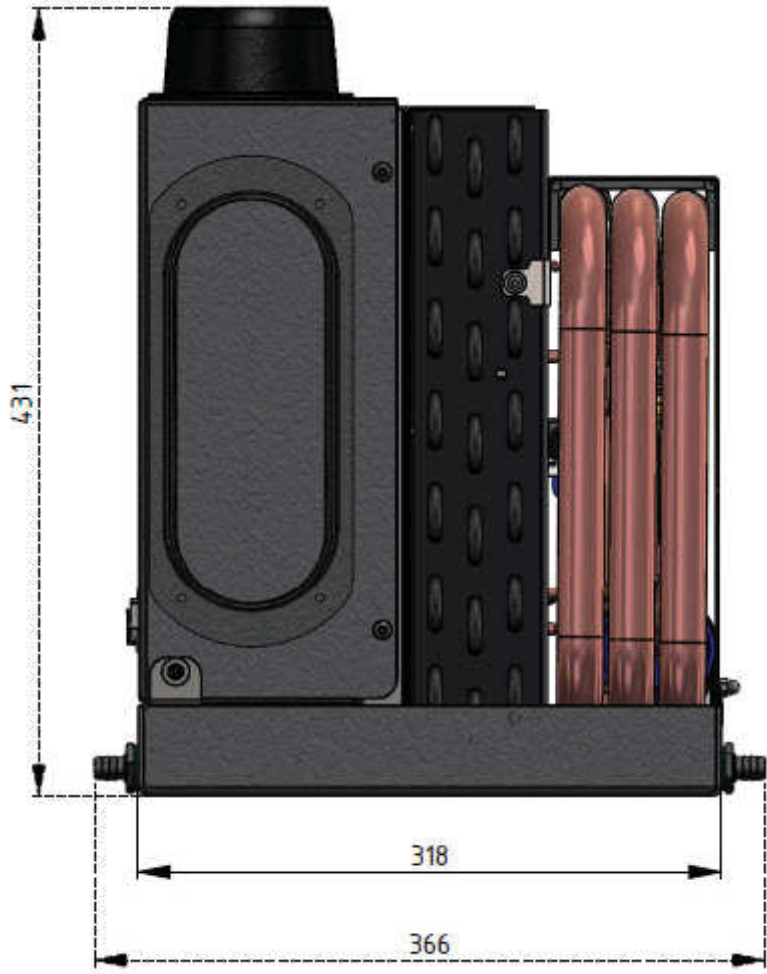
SC-N 11.0



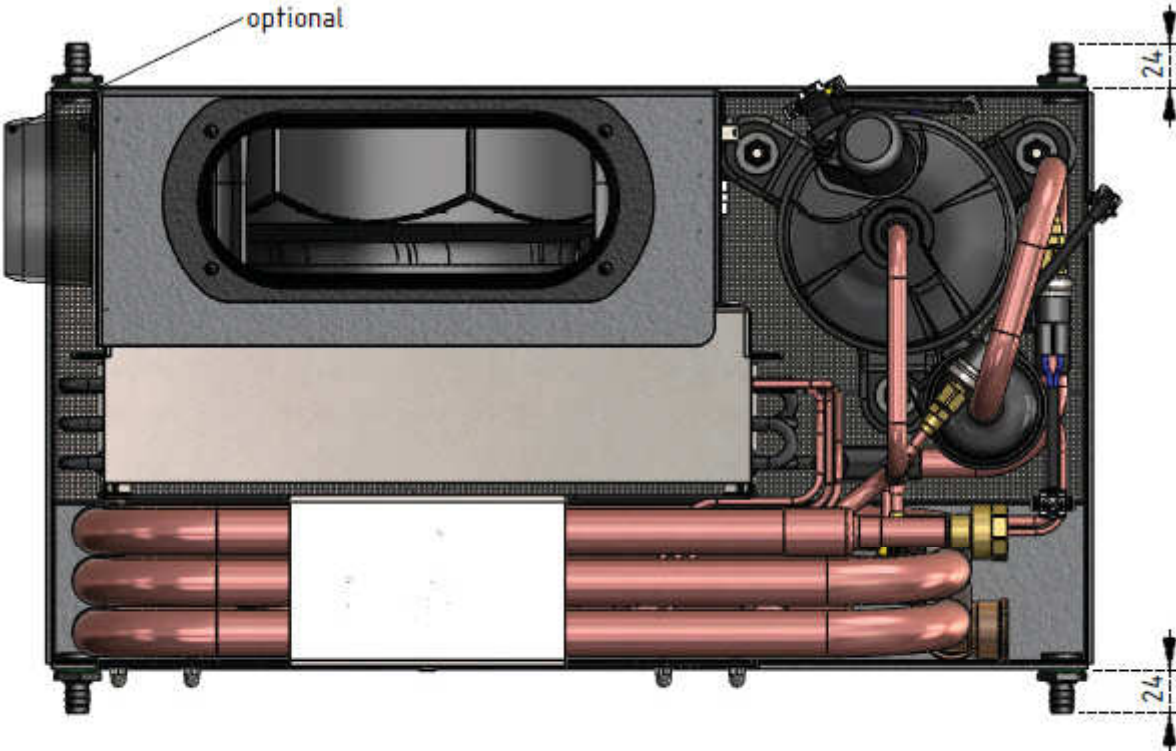
SC-N 18.0



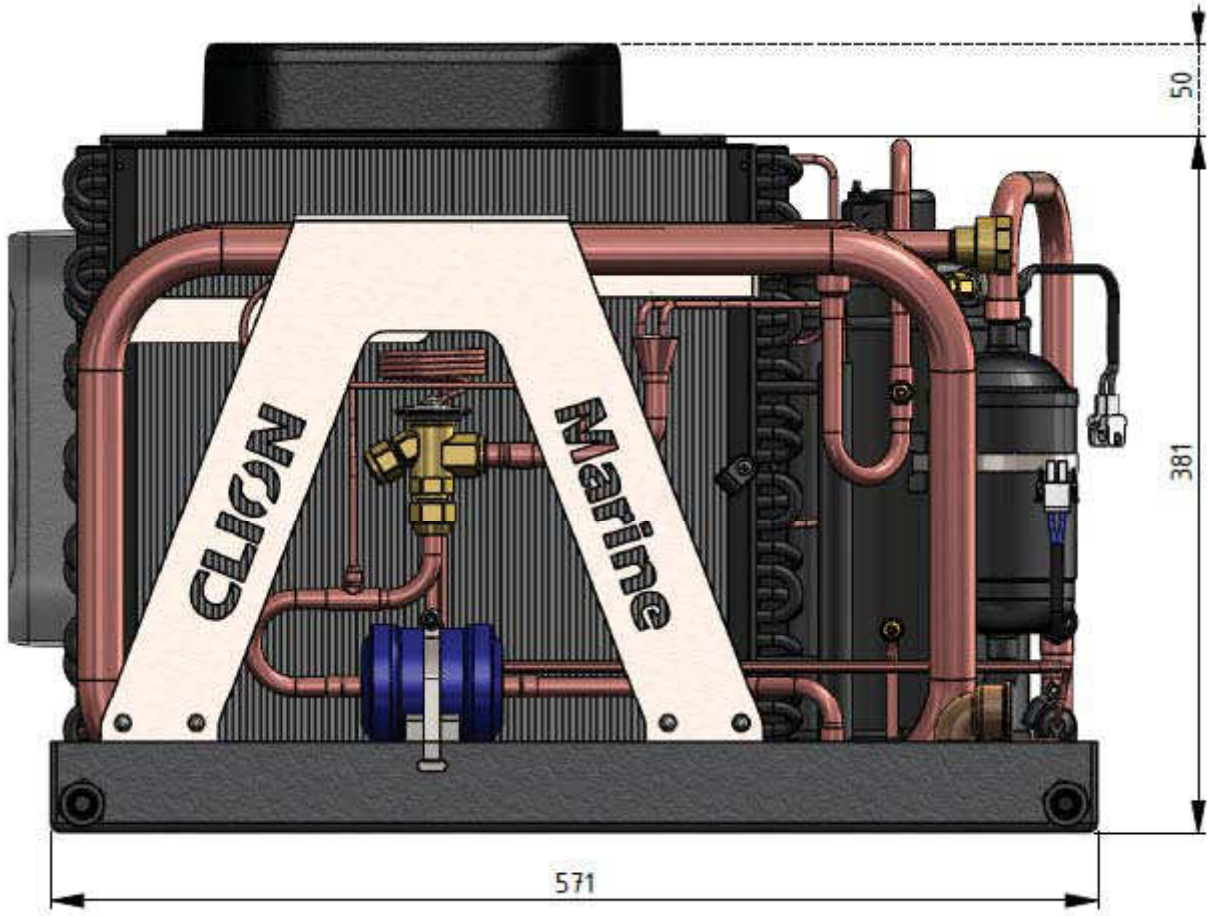
SC-N 18.0



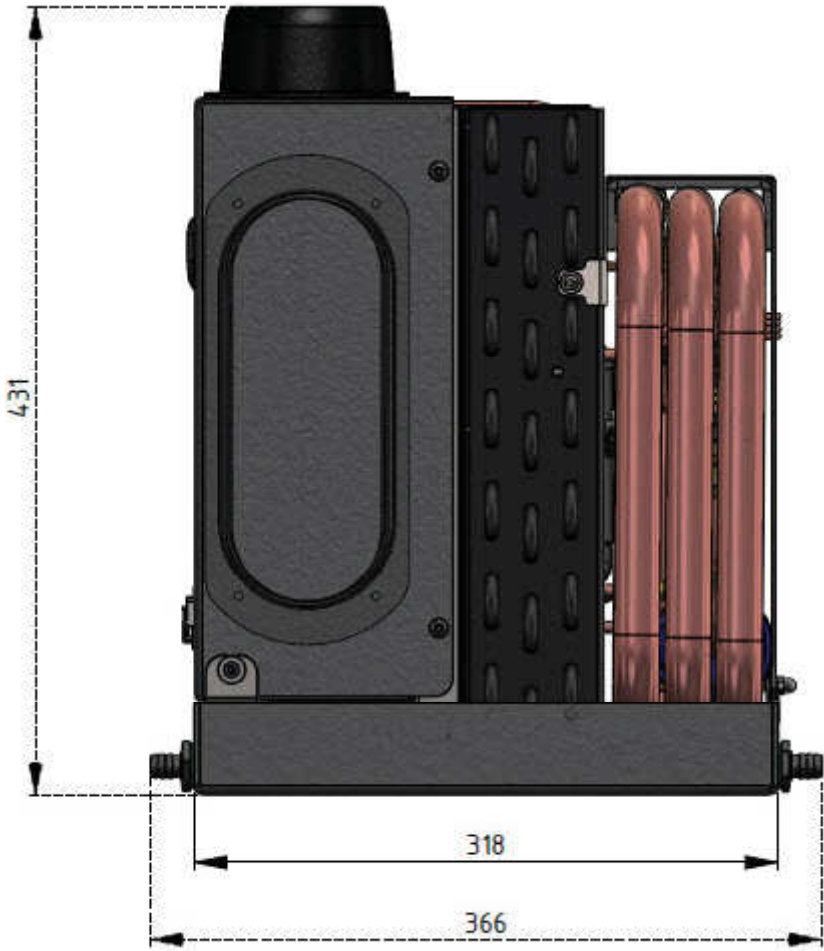
SC-N 18.0



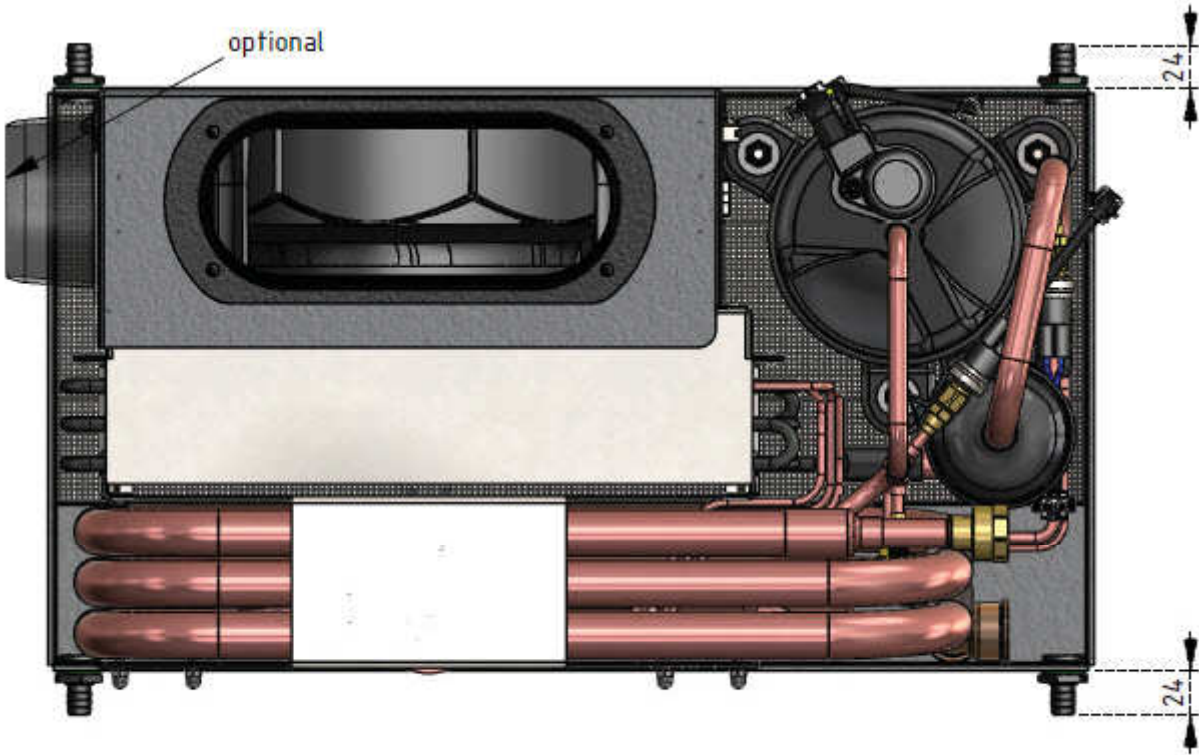
SC-N 28.0



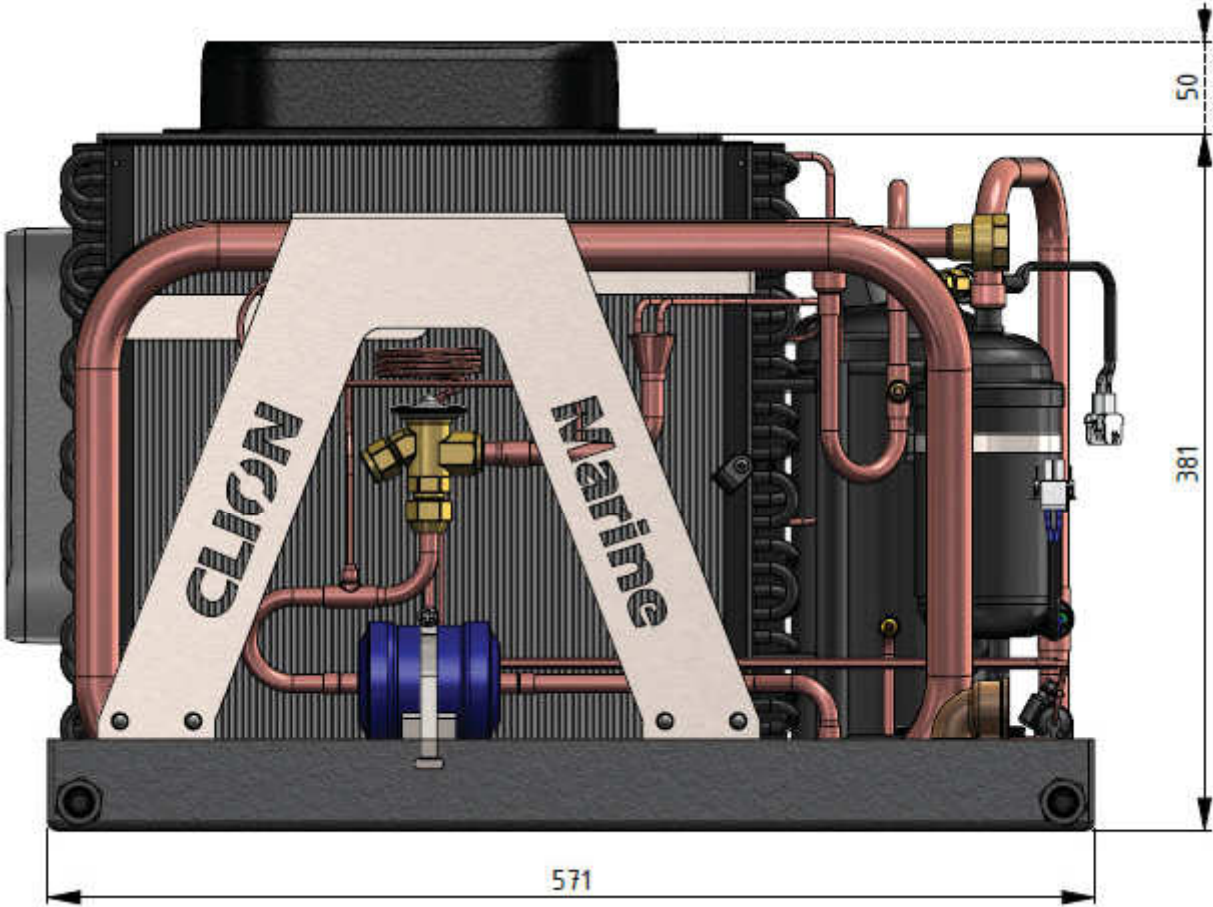
SC-N 28.0



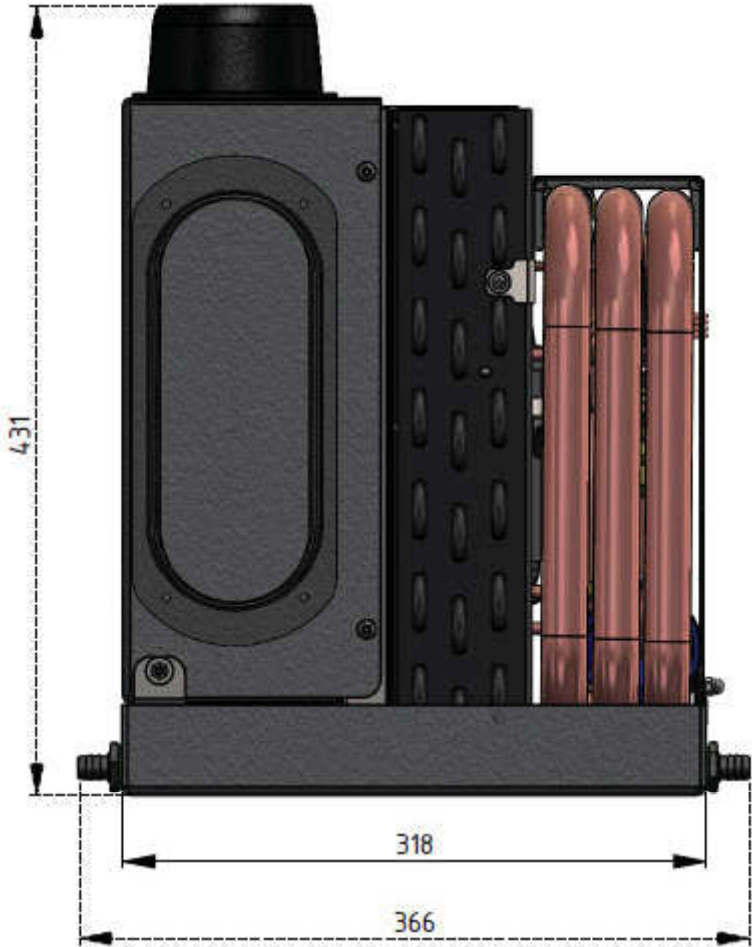
SC-N 28.0



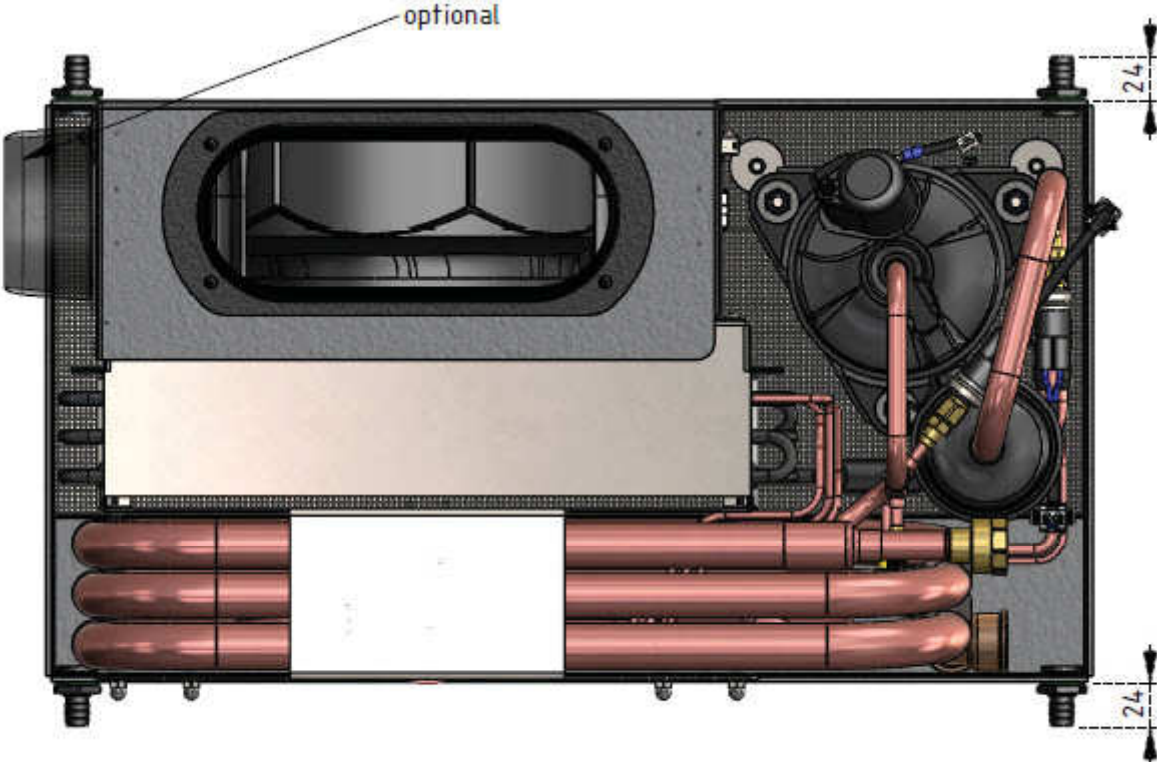
SC-IN 31.0



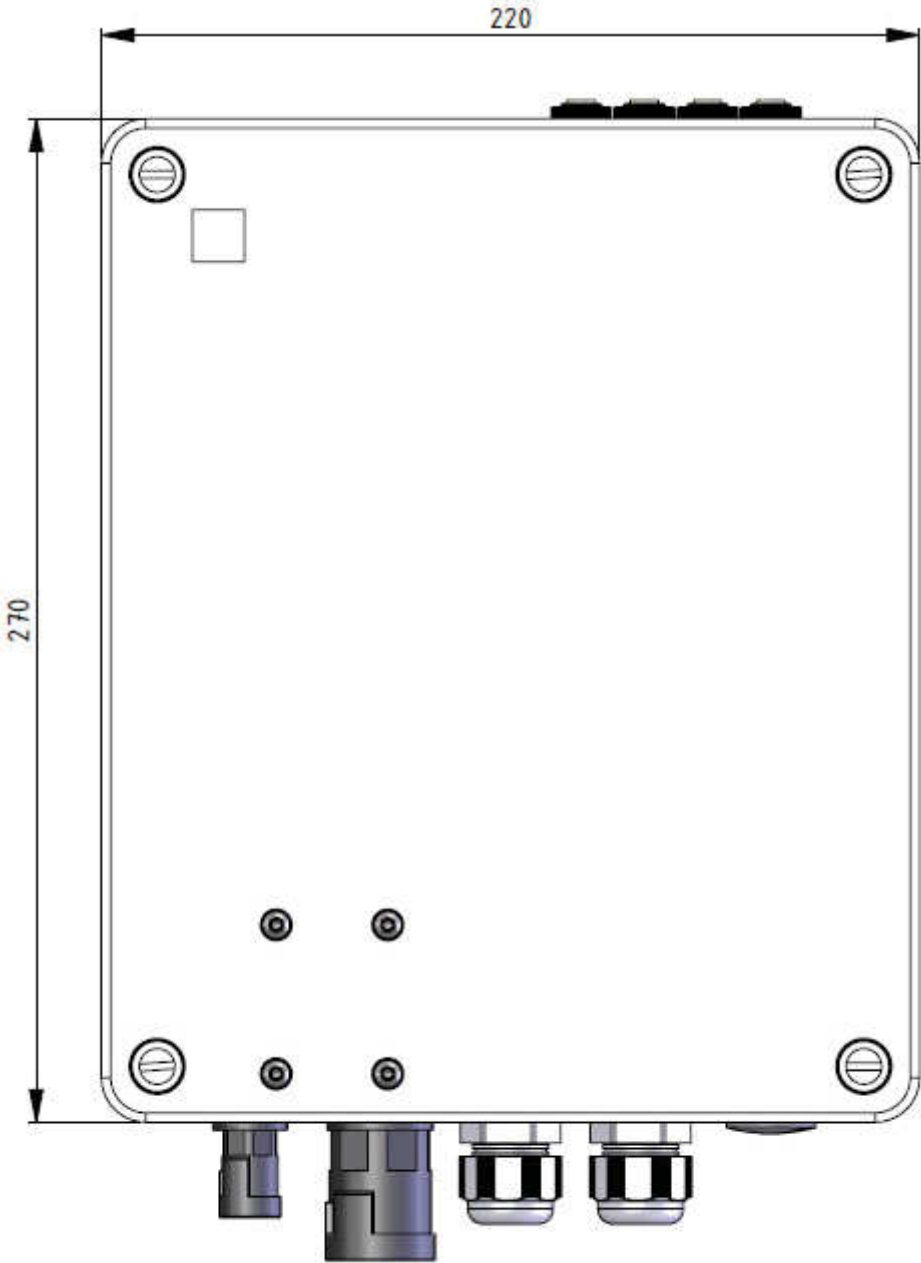
SC-IN 31.0



SC-IN 31.0



Control box SC



Control box SC

