



## Airhandlers (AH-N) DC Speed control

Compact stainless steel airhandlers

- Integrated 3-way valve for optimal temperature control
- Extremely quiet
- High performance boxblower with 0-10V speed control
- Multiple air outlets
- Stainless steel drainpan
- Return air filter

### Technical Specifications

	AH-N 4.0-9.0		
<b>Part number</b>	CM0000113093		
<b>Capacity (BTU/h)</b>	4.000	6.000	9.000
<b>Capacity (kW)</b>	1,2	1,8	1,6
<b>Voltage</b>	220v/50/60Hz	220v/50/60Hz	220v/50/60Hz
<b>Power consumption (A)</b>	0,75	0,75	0,75
<b>Weight (kg)</b>	8,90	8,90	8,90
<b>Airflow auto modus (m³/h)</b>	180-300	180-320	220-400
<b>Max airflow manual (m³/h)</b>	600	600	600
<b>Chilled water connection</b>	1/2" / 19mm	1/2" / 19mm	1/2" / 19mm
<b>Return air face area (cm²)</b>	444	519	667
<b>Supply air face area (cm²)</b>	222	259	333
<b>Hose connection (inch/cm)</b>	1x6" / 152	1x6" / 152	1x6" / 152
<b>Dimensions (LxWxH) (mm)</b>	400*208*289	400*208*289	400*208*289
<b>Cable length control box</b>	1,20m	1,20m	1,20m
<b>Drain connection (mm)</b>	12 (4x)	12 (4x)	12 (4x)
<b>Chilled waterflow (l³/h)</b>	0,5	0,5	0,5

For complete operation an airhandler, control box and display kit are required!



## Airhandlers (AH-N) DC Speed control

Compact stainless steel airhandlers

- Integrated 3-way valve for optimal temperature control
- Extremely quiet
- High performance boxblower with 0-10V speed control
- Multiple air outlets
- Stainless steel drainpan
- Return air filter

### Technical Specifications

	AH-N 12.0-16.0		
Part number	CM0000113100		
Capacity (BTU/h)	12.000	14.000	16.000
Capacity (kW)	3,5	4,1	4,7
Voltage	220v/50/60Hz	220v/50/60Hz	220v/50/60Hz
Power consumption (A)	0,75	0,75	0,75
Weight (kg)	14,60	14,60	14,60
Airflow auto modus (m³/h)	280-450	320-500	470-650
Max airflow (m³/h)	800	800	800
Chilled water connection	1/2" / 19mm	1/2" / 19mm	1/2" / 19mm
Return air face area (cm²)	741	889	1.148
Supply air face area (cm²)	370	444	574
Hose connection (inch/cm)	1x7" / 178	1x7" / 178	1x7" / 178
Dimensions (LxWxH) (mm)	501*230*391	501*230*391	501*230*391
Cable length control box	1,20m	1,20m	1,20m
Drain connection (mm)	12 (4x)	12 (4x)	12 (4x)
Chilled waterflow (l³/h)	1	1	1

For complete operation an airhandler, control box and display kit are required!



## Airhandlers (AH-N) DC Speed control

Compact stainless steel airhandlers

- Integrated 3-way valve for optimal temperature control
- Extremely quiet
- High performance boxblower with 0-10V speed control
- Multiple air outlets
- Stainless steel drainpan
- Return air filter

### Technical Specifications

	AH-N 18.0-26.0		
<b>Part number</b>	CM0000113109		
<b>Capacity (BTU/h)</b>	18.000	24.000	26.000
<b>Capacity (kW)</b>	5,3	7,0	7,6
<b>Voltage</b>	220v/50/60Hz	220v/50/60Hz	220v/50/60Hz
<b>Power consumption (A)</b>	0,75	0,75	0,75
<b>Weight (kg)</b>	16,70	16,70	16,70
<b>Airflow auto modus (m³/h)</b>	400-600	520-850	620-900
<b>Max airflow manual (m³/h)</b>	1000	1000	1000
<b>Chilled water connection</b>	1/2" / 19mm	1/2" / 19mm	1/2" / 19mm
<b>Return air face area (cm²)</b>	963	1.519	1.630
<b>Supply air face area (cm²)</b>	481	759	815
<b>Hose connection (inch/cm)</b>	1x7" / 178	1x7" / 178	1x7" / 178
<b>Dimensions (LxWxH) (mm)</b>	614*235*340	614*235*340	614*235*340
<b>Cable length control box</b>	1,20m	1,20m	1,20m
<b>Drain connection (mm)</b>	12 (4x)	12 (4x)	12 (4x)
<b>Chilled waterflow (l³/h)</b>	1	1	1

For complete operation an airhandler, control box and display kit are required!



## Slim-Line Airhandlers (AH-S)

Compact low profile stainless steel airhandlers

- Integrated 3-way valve for optimal temperature control
- Extremely quiet
- High performance boxblower with 0-10V speed control
- Multiple air outlets
- Stainless steel drainpan
- Return air filter

### Technical Specifications

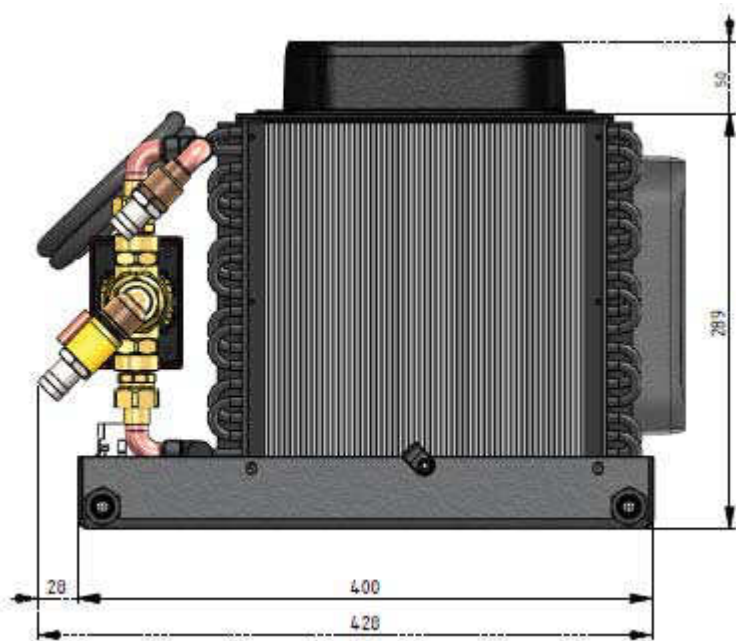
	AH-S 4.0-9.0		
<b>Part number</b>	CM0000113098		
<b>Capacity (BTU/h)</b>	4.000	6.000	9.000
<b>Capacity (kW)</b>	1,2	1,8	1,6
<b>Voltage</b>	220v/50/60Hz	220v/50/60Hz	220v/50/60Hz
<b>Power consumption (A)</b>	0,75	0,75	0,75
<b>Weight (kg)</b>	10,00	10,00	10,00
<b>Airflow auto modus (m³/h)</b>	180-300	180-320	220-380
<b>Max airflow manual (m³/h)</b>	500	500	500
<b>Chilled water connection</b>	1/2" 19mm	1/2" 19mm	1/2" 19mm
<b>Return air face area (cm²)</b>	444	519	667
<b>Supply air face area (cm²)</b>	222	259	333
<b>Hose connection (inch/cm)</b>	1x6" / 152	1x6" / 152	1x6" / 152
<b>Dimensions (LxWxH) (mm)</b>	426*343*249	426*343*249	426*343*249
<b>Cable length control box</b>	1,20m	1,20m	1,20m
<b>Drain connection (mm)</b>	12 (4x)	12 (4x)	12 (4x)
<b>Chilled waterflow (l³/h)</b>	0,5	0,5	0,5

For complete operation an airhandler, control box and display kit are required!

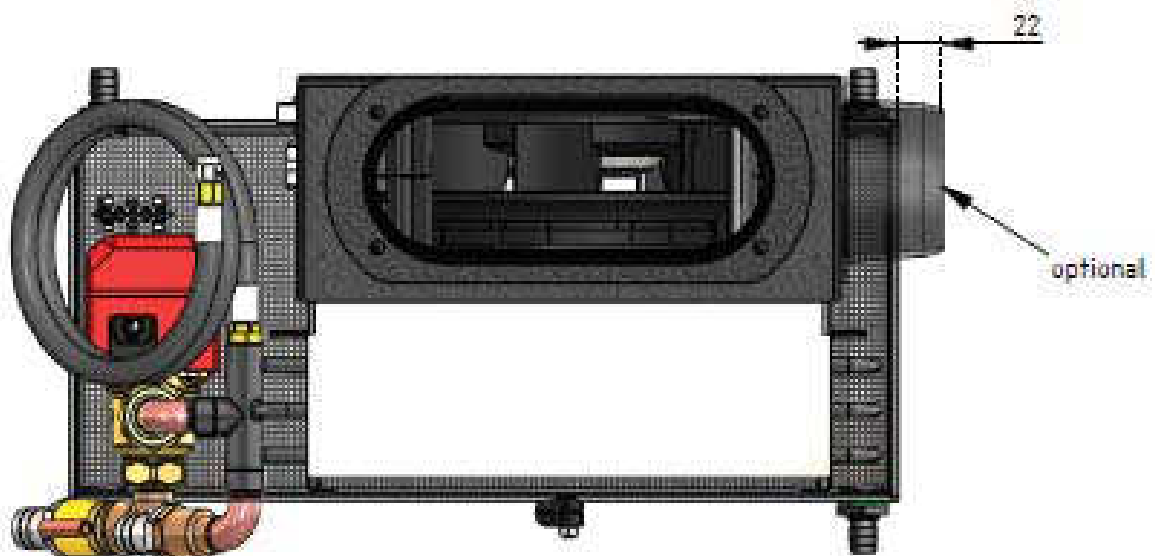
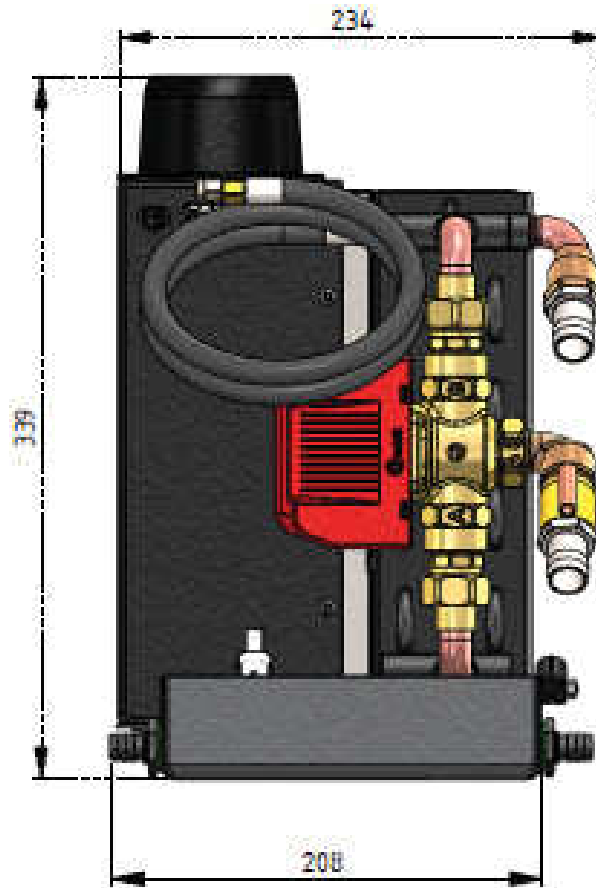
## Measurements Clion-Marine units

On the following pages you will find all the measurements of the Clion-Marine air-conditioning units.

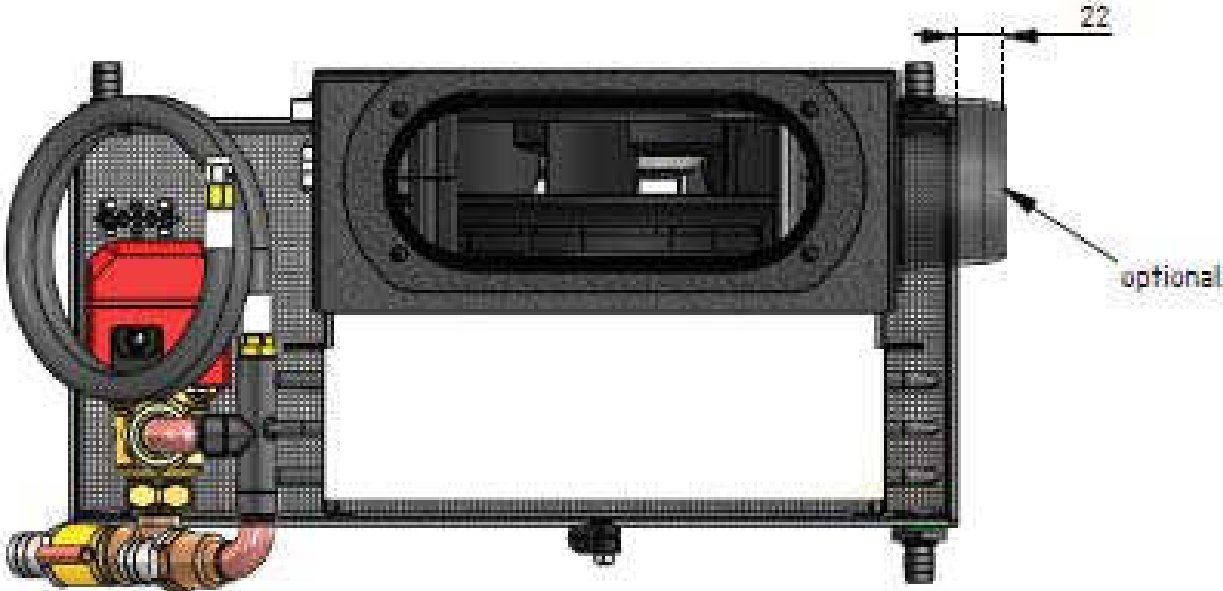
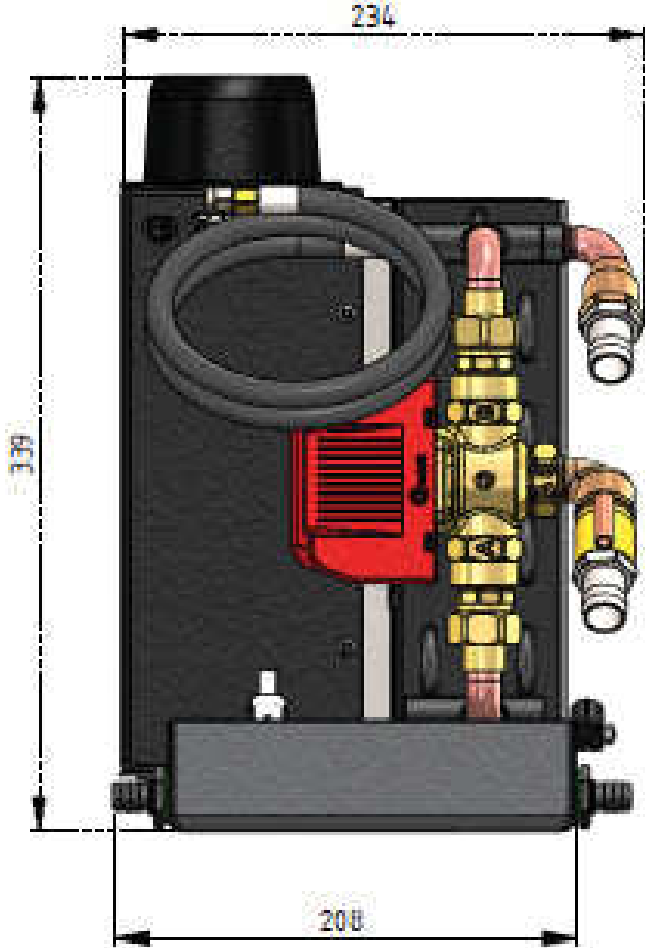
### Airhandlers AH-N 4.0 - 9.0



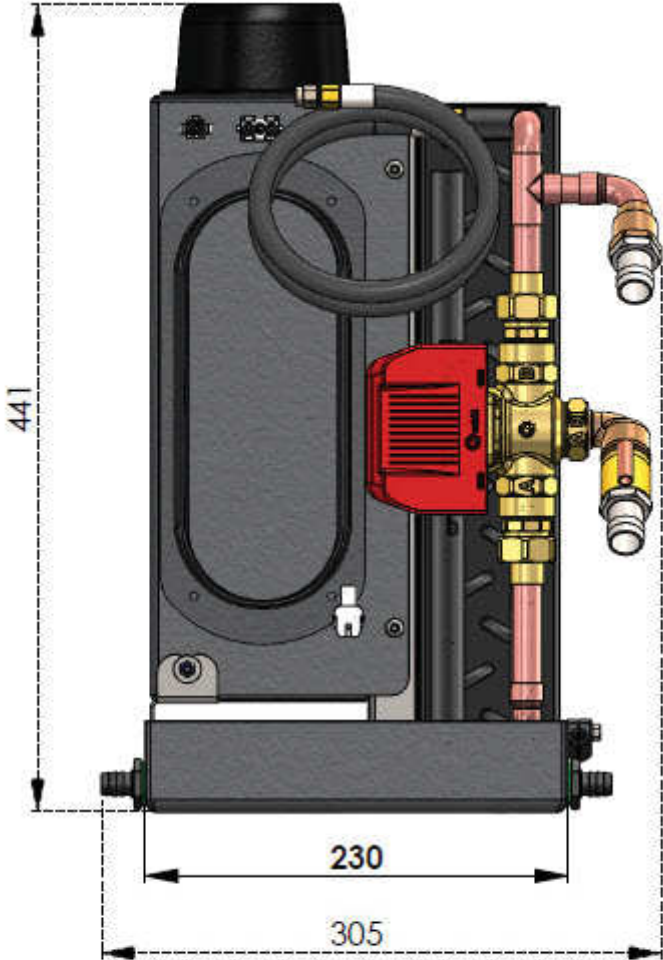
## Airhandlers AH-N 4.0 - 9.0



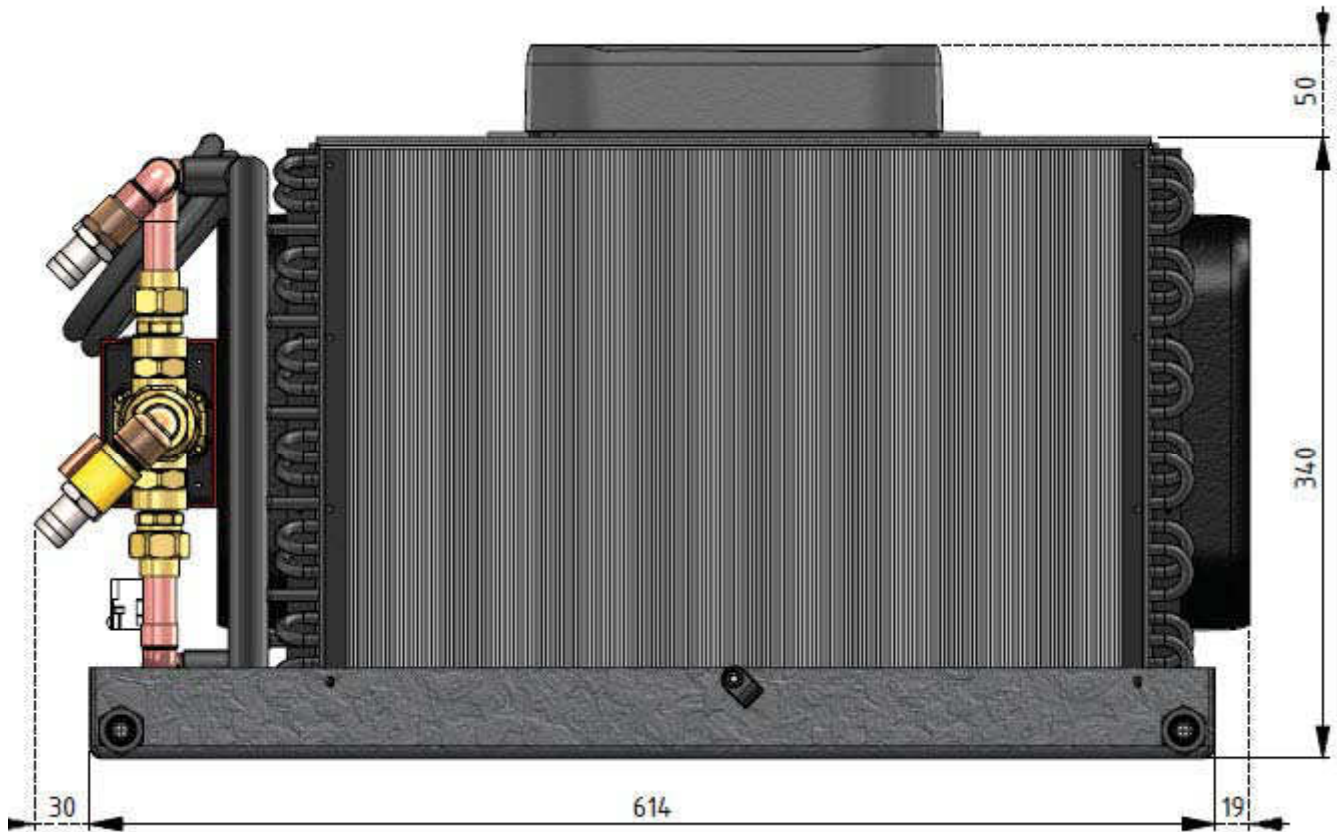
## Airhandlers AH-N 12.0-16.0



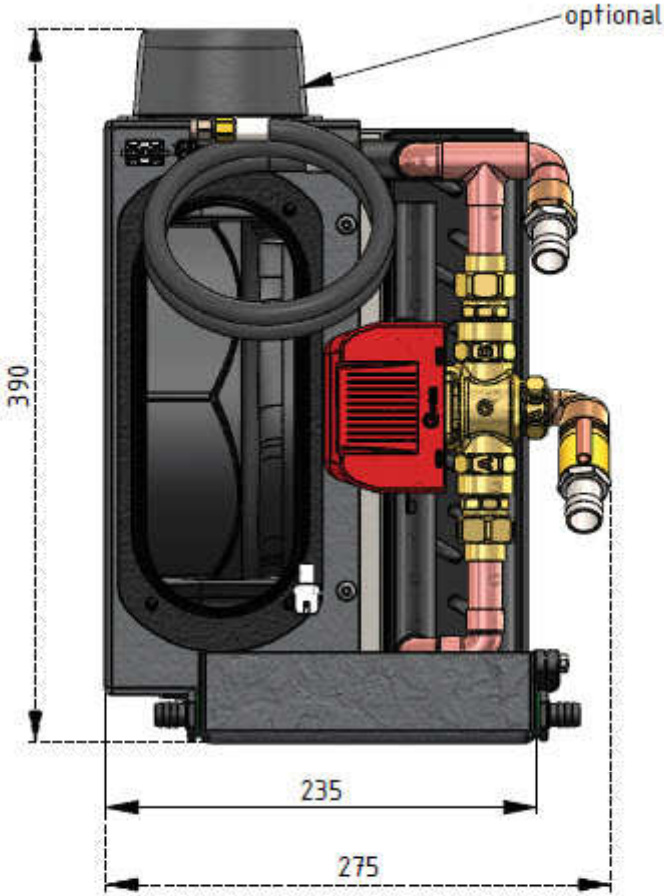
## Airhandlers AH-N 12.0-16.0



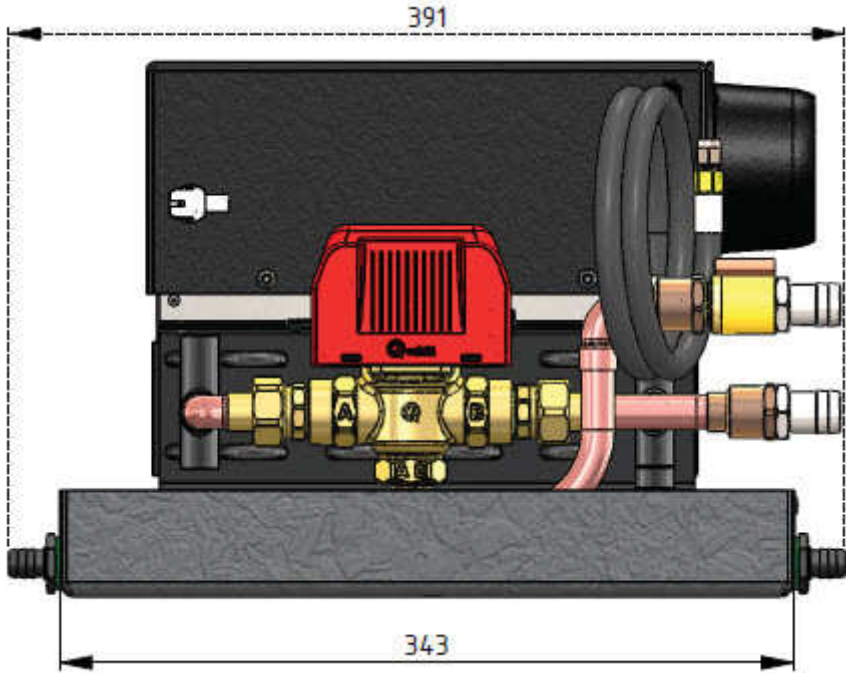
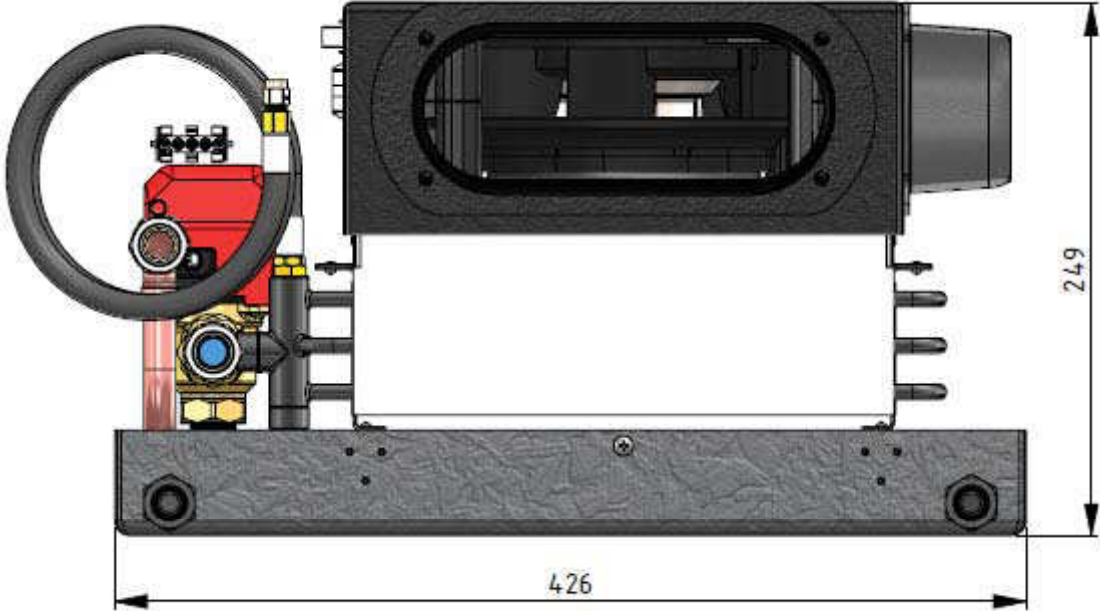
## Airhandlers AH-N 18.0-26.0



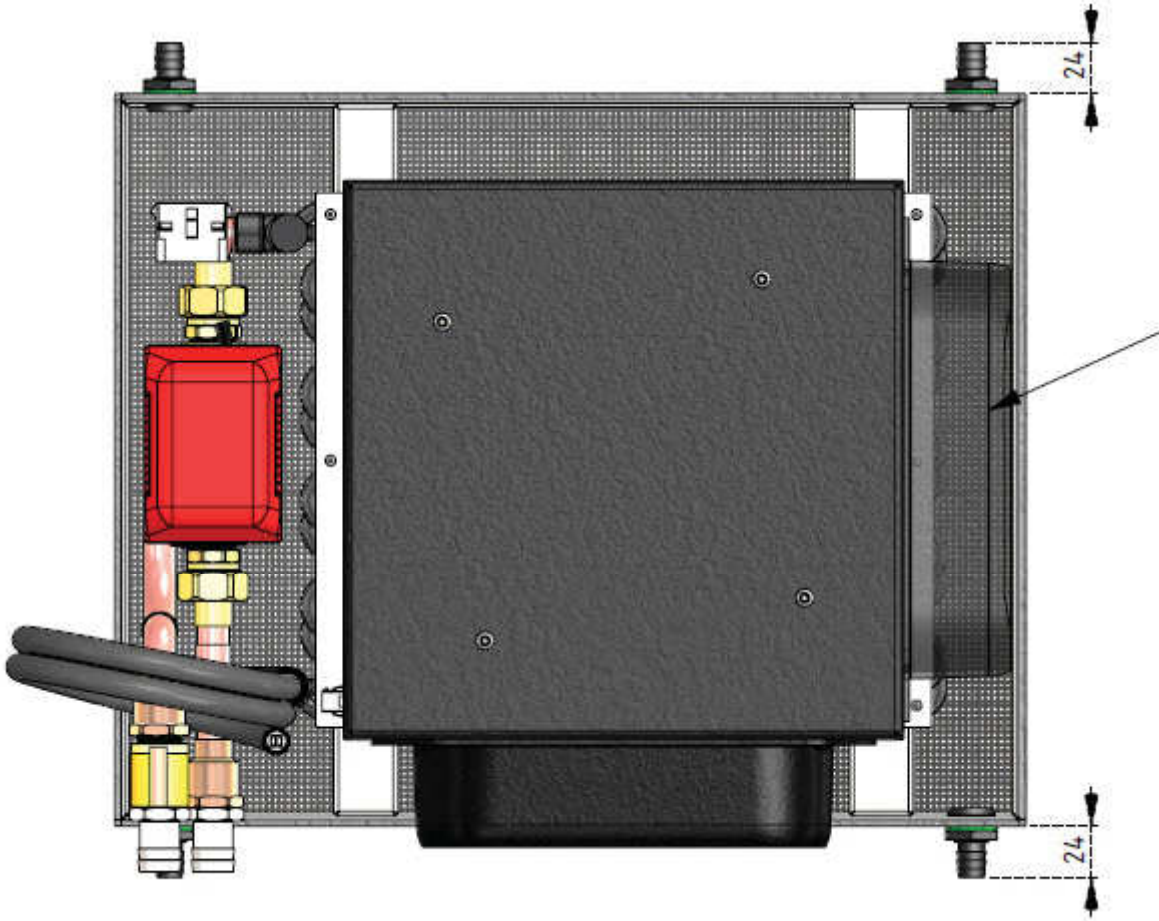
## Airhandlers AH-N 18.0-26.0



## AH-S 4.0-9.0



## AH-S 4.0-9.0



## Control box AH

